

## PARTS LIST

Item No	Type	Part No	Description	Qty	Unit
001		265995-6	TAPPING SCREW 4X18	4	PC.
002	1	416496-9	* HANDLE COVER	1	PC.
002	2	413241-3	* HANDLE COVER	1	PC.
003		664276-9	CORD W/PLUG 2P-16-5.0M, SJ	1	PC.
004		682505-8	CORD GUARD 10-90	1	PC.
005	2	650230-9	SWITCH TGL115CDT-2	1	PC.
006	1	150981-9	* MOTOR HOUSING COMPLETE	1	PC.
006	1	INC. 643708-9	* BRUSH HOLDER 5-11	2	PC.
006	2	141N38-1	* MOTOR HOUSING COMPLETE	1	PC.
006	2	INC. 643708-9	* BRUSH HOLDER 5-11	2	PC.
007		266034-5	TAPPING SCREW CT 4X16	1	PC.
008		416495-1	BELT COVER	1	PC.
009		222147-2	PULLEY 10-24.1	1	PC.
010		643750-0	BRUSH HOLDER CAP	2	PC.
011	2	194996-6	CARBON BRUSH CB-303 2PC/SET (W/ ORIGIN)	1	SET
012		265995-6	TAPPING SCREW 4X18	1	PC.
013		266056-5	TAPPING SCREW 5X45	2	PC.
014		687063-9	CORD CLAMP (STRAIN RELIEF)	1	PC.
015		265995-6	TAPPING SCREW 4X18	2	PC.
016		416497-7	DUST NOZZLE	1	PC.
017		213415-4	O RING 28	1	PC.
018		266069-6	TAPPING SCREW M4X45	2	PC.
019		265995-6	TAPPING SCREW 4X18	1	PC.
020		819064-1	MAKITA MARK	1	PC.
021		266203-8	TAPPING SCREW BIND CT 4X40	1	PC.
022		317018-7	DUST COLLECTOR COVER	1	PC.
023		416494-3	SEPARATOR	1	PC.
024		911213-7	PAN HEAD SCREW M5X12	1	PC.
025		241662-7	FAN 80	1	PC.
026		265995-6	TAPPING SCREW 4X18	2	PC.
027		317021-8	DUST COLLECTOR BRACKET	1	PC.
028		211088-7	BALL BEARING 6000DDW	1	PC.
029		240013-1	FAN 84	1	PC.
030		516781-1	ARMATURE ASS'Y 115V	1	PC.
030	INC.		Item No. 28,29,32,33		
031		416498-5	BAFFLE PLATE	1	PC.
032		681649-1	INSULATION WASHER	1	PC.
033		211088-7	BALL BEARING 6000DDW	1	PC.

Item No	Type	Part No	Description	Qty	Unit
034	2	267715-4	WAVE WASHER 20	1	PC.
035		596191-8	FIELD ASS'Y 115V	1	PC.
035	INC.	654020-2	RING TERMINAL	1	PC.
035	INC.	654502-4	CONNECTOR P-2	1	PC.
036		225081-5	SYNCHRO BELT	1	PC.
037		931503-2	HEX. NUT M10	1	PC.
038		222148-0	PULLEY 11-55.6	1	PC.
039		266034-5	TAPPING SCREW CT 4X16	3	PC.
040		317020-0	GEAR COVER	1	PC.
041		153291-3	HELICAL GEAR 43 COM. (OLD# 153265-4 - N/L/A)	1	PC.
042		150979-6	FRAME COMPLETE	1	PC.
042	INC.	214204-0	PLANE BEARING 15	1	PC.
043		265995-6	TAPPING SCREW 4X18	4	PC.
044		150846-5	EDGE SLIDER COMPLETE	1	PC.
045		211131-2	BALL BEARING 6001DDW	1	PC.
046		162199-0	DRIVING ROLLER	1	PC.
047		252087-0	HEX. NUT M12-19	1	PC.
048		266026-4	TAPPING SCREW BIND CT 4X12	2	PC.
049		344622-9	SAFETY COVER	1	PC.
050		163398-7	TENSION ROLLER ARM	1	PC.
051		233235-0	COMPRESSION SPRING 12	1	PC.
052		231819-8	TENSION SPRING 4	1	PC.
053		321980-0	SUPPORT PIN	1	PC.
054		323829-0	TENSION ROLLER SHAFT	1	PC.
055		253922-5	CUP WASHER 12	1	PC.
056		150978-8	TENSION ROLLER COMPLETE	1	PC.
056	INC.	214116-7	PLANE BEARING 12	2	PC.
056	INC.	421044-1	SPONGE SHEET 42-47	1	PC.
057		253922-5	CUP WASHER 12	1	PC.
058		961052-5	RETAINING RING S-12	1	PC.
059		911118-1	PAN HEAD SCREW M4X12	3	PC.
060		344623-7	STRAP WASHER	1	PC.
062		416499-3	FRONT GRIP	1	PC.
063		266034-5	TAPPING SCREW CT 4X16	2	PC.
064		226551-7	HELICAL GEAR 12 (OLD# 226506-2 - N/L/A)	1	PC.
065		211066-7	BALL BEARING 6200LLB	1	PC.
066		911213-7	PAN HEAD SCREW M5X12	1	PC.
067	2	852072-9	NAME PLATE F/9403	1	PC.
068	1	231225-7	* COMPRESSION SPRING 16	1	PC.

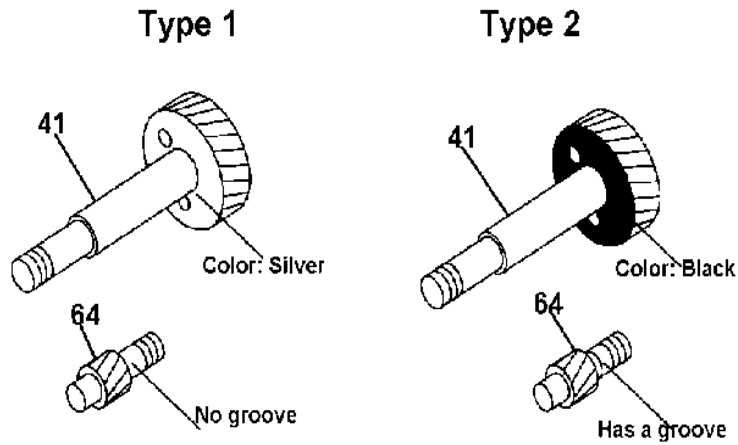
Item No	Type	Part No	Description	Qty	Unit
068	2	232573-7	* COMPRESSION SPRING 16	1	PC.
069	1	253707-9	* FLAT WASHER 16 (Removed)	1	PC.
070		251815-0	SCREW M6X25	1	PC.
100		652008-6	P.H. SCREW M3.5 X 7	2	PC.
101		654037-5	INSULATED EYE TERMINAL FT1.25-M3	2	PC.
103		654575-7	TERMINAL BLOCK	1	PC.
A01		742322-9	ABRESIVE BELT 4"X24" 80GRIT 10PC/SET	1	PC.
A02		122562-9	DUST BAG ASS'Y	1	PC.
A02	INC.	410602-8	FASTENER	1	PC.
A03		150980-1	STEEL PLATE COMPLETE	1	PC.
A03	INC.	344620-3	STEEL PLATE	1	PC.
A03	INC.	421646-3	CORK RUBBER PLATE	1	PC.
A04		P-80024	JOINT 25 (F/DUST COLLECTOR)	1	PC.
A05		421648-9	CARBON PLATE	1	PC.
A06	2	A-34235	HOSE COMPLETE 28-1.5M SET W/FRONT CUFFS 22, 38	1	PC.
A07		192279-8	HOSE 1" DIA.X9.6FT	1	PC.
A08		192279-8	HOSE 1" DIA.X9.6FT	1	PC.
A09		193055-3	BELT SANDER STAND SET	1	SET
A09	INC.	941151-9	FLAT WASHER 6	3	PC.
A09	INC.	934201-7	WING NUT M5	3	PC.
A09	INC.	168344-5	BASE	1	PC.
A09	INC.	163236-3	GUIDE RULE	1	PC.
A09	INC.	924316-8	WING BOLT M6X15	3	PC.
A09	INC.	342920-5	COVER PLATE	1	PC.
A09	INC.	819063-3	MAKITA LABEL	1	PC.
A09	INC.	942151-2	SPRING WASHER 6	3	PC.
A09	INC.	344859-8	PRESSURE PLATE	1	PC.
A09	INC.	941101-4	FLAT WASHER 5	3	PC.
A09	INC.	923211-9	CAP SQUARE NECK BOLT M5X12	3	PC.
A09	INC.	924366-3	WING BOLT M6X50	1	PC.
C01		843524-1	CARTON F/9403	1	PC.

**SERVICE CHANGES**

**1. Changes on Helical Gear 43 Complete and Helical Gear 12**

Item No.	Description	Type 1	Type 2
41	Helical Gear 43 Com	153265-4	153291-3
64	Helical Gear 12	226506-2	226551-7

Above parts are completely interchangeable as a set.



**2. Changes on Motor housing complete and Handle cover**

(T/I#DH158)

Item No.	Description	Type 1	Type 2
6	MOTOR HOUSING COM.	150981-9	141N38-1
2	HANDLE COVER	416496-9	413241-3

Above parts are completely interchangeable as a set.

**3. Changes on Compression Spring 16**

(T/I#Y09461)

Item No.	Description	Type 1	Type 2
68	COMPRESSION SPRING 16	231225-7	232573-7
69	FLAT WASHER 16	253707-9	-----

Above parts are completely interchangeable as a set.